

WARNING :

**TOP BUNK AND ELEVATED BEDS
ARE DANGEROUS AND ARE NOT RECOMMENDED
FOR CHILDREN UNDER AGE OF 9**

Falls from elevated beds can be fatal and deaths have occurred where children have fallen from elevated beds. This is relevant for all ages. The risk is greater for younger children.

The risk of injury or death from a fall from an elevated bed compared to a non-elevated bed is :

10 x greater for 7-8 year olds

7 x greater for 9-10 year olds

3 x greater for 11-12 year olds

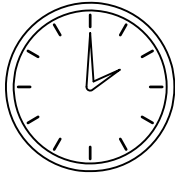
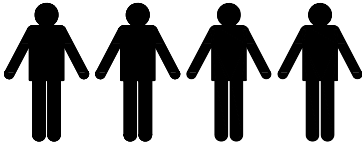

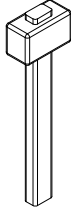
WARNING :

The upper bunk must be more than 2m from any ceiling fan.

PRE-ASSEMBLY PREPARATION

Before you start:

1. Choose a clean, level, spacious assembly area. Avoid hard surfaces that may damage the product
2. Take care when lifting. Product should be assembled as near as possible to the point of use
3. Ensure that you have all required contents for complete assembly.
4. Always read the assembly instructions carefully before beginning assembly.
5. Keep all hardware parts and packaging out of reach of small children.
6. Do not over tighten the screws and bolts as this may damage the threads

	
ALLOW 120 MINUTES	4 PEOPLE REQUIRED
	
ADDITIONAL TOOLS REQUIRED	



WARNING

To help prevent serious or fatal injuries from entanglements or falls:

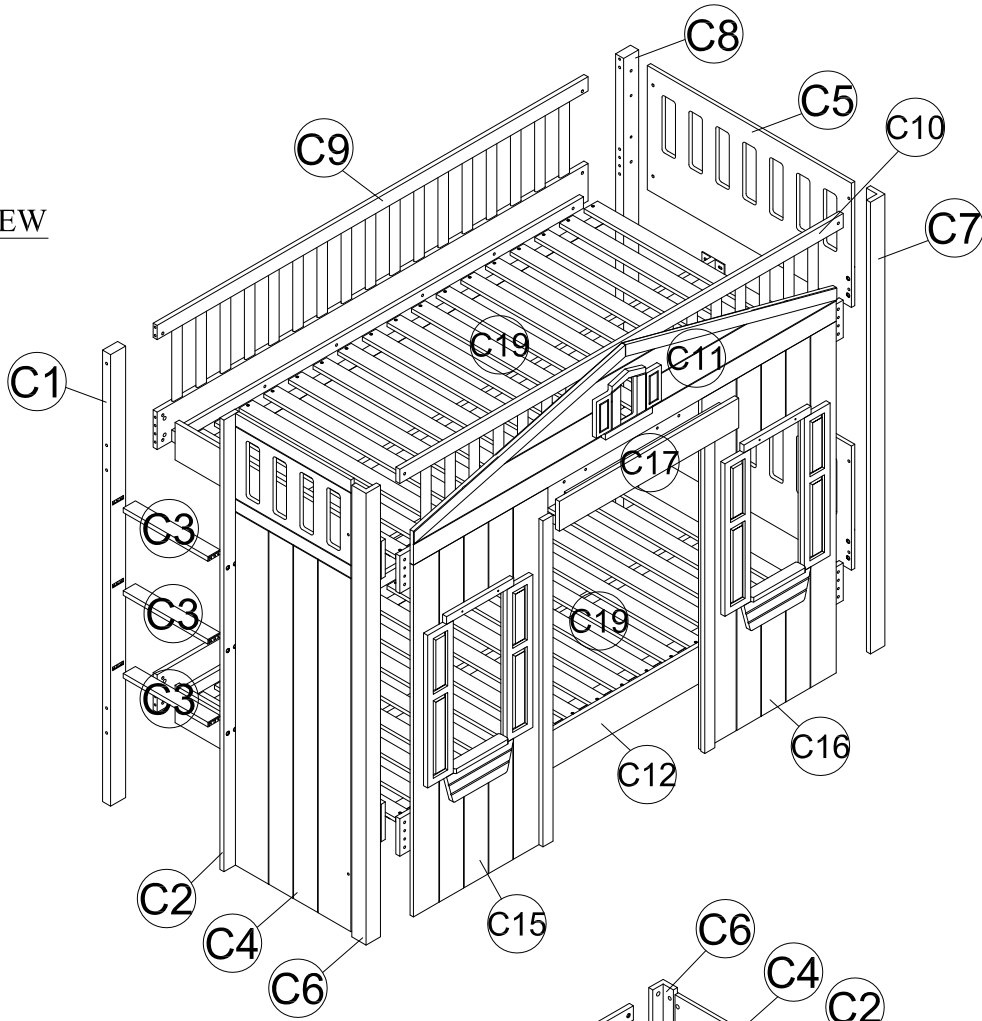
- Use the correct size mattress as specified
- Upper surface of mattress must be at least 160mm below upper edge of guard rails
- Follow all written instructions included with this bed
- Use guardrails on both sides of upper bunk
- Check the bunk bed periodically to ensure that the guardrails, access device and other components are maintained in the correct position and state of repair and that all connectors are tight with nothing protruding more than 8mm
- Ensure the upper bunk is more than 2m from any ceiling fan
- Prohibit horseplay on or under bed
- Prohibit more than one person on the upper bunk

TOP BUNK AND ELEVATED BEDS ARE DANGEROUS AND ARE NOT RECOMMENDED FOR CHILDREN UNDER THE AGE OF 9.

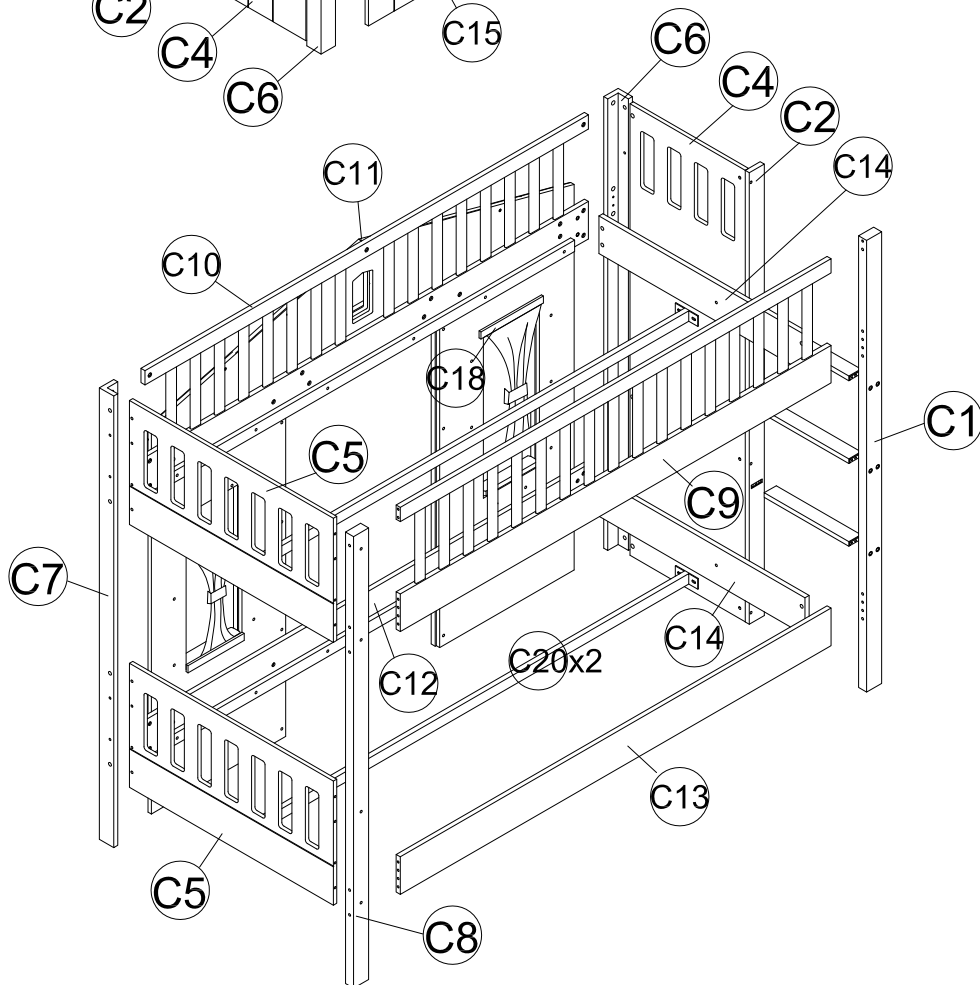
DO NOT REMOVE THIS LABEL

PARTS LIST

FRONT VIEW

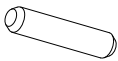
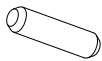





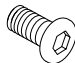

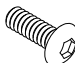
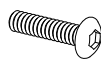
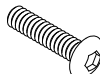
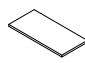
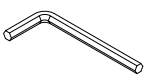




BACK VIEW

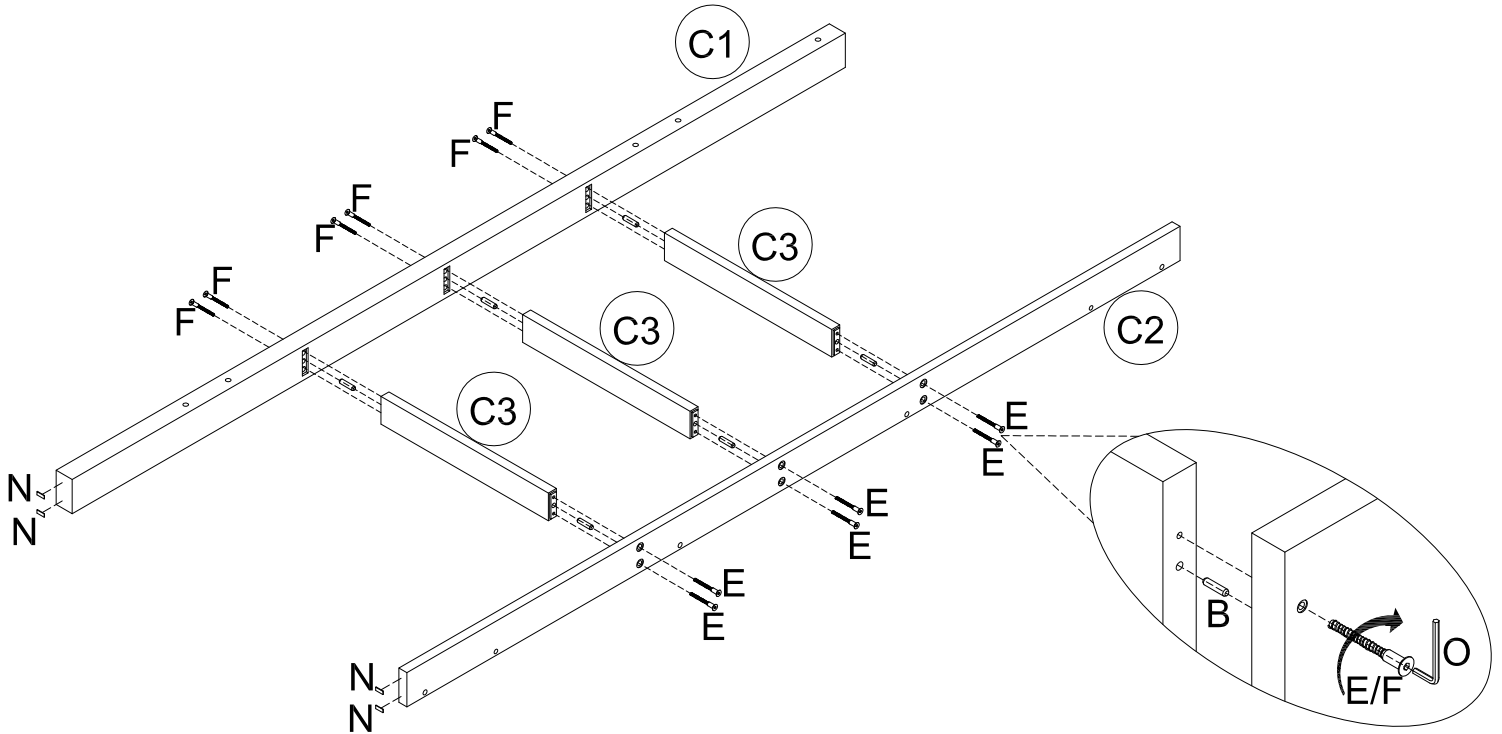


PARTS LIST

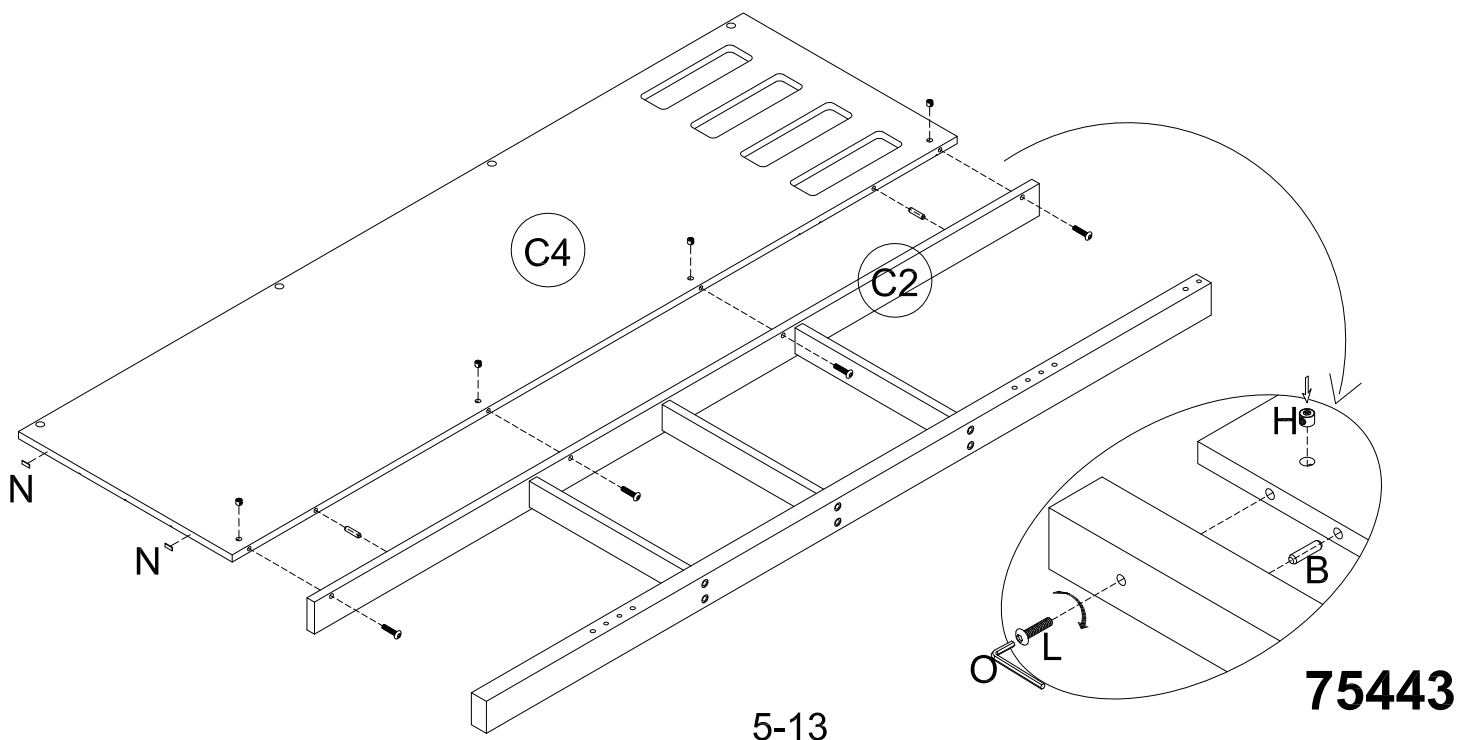
C1	Back Bed Post- Left	C11	Front Panel-Top
C2	Ladder Post	C12	Front Side Rail
C3	Ladder Tread	C13	Back Side Rail
C4	End Panel-Left	C14	Top&Bottom Left End Rail
C5	Top Bottom End Panel-Right	C15	Front Panel-Left
C6	Front Bed Post-Left	C16	Front Panel-Right
C7	Front Bed Post-Right	C17	Top Front Rail
C8	Back Bed Post-Right	C18	Curtain
C9	Back Safety Rail	C19	Slats
C10	Front Safety Rail	C20	Tube

A. Dowel Ø6X20 <input type="checkbox"/>	B. Dowel Ø8X30 <input type="checkbox"/>	D. Screw Ø3.5X30 <input type="checkbox"/>	E. Bolt Ø7X50 <input type="checkbox"/>	F. Bolt Ø7X70 <input type="checkbox"/>	G. Bolt M6X100 <input type="checkbox"/>	H. Bolt Ø6X13 <input type="checkbox"/>
						
14PCS	24PCS	68PCS	8PCS	6PCS	10PCS	18PCS
I. Bolt M6X15 <input type="checkbox"/>	J. Bolt M6X20 <input type="checkbox"/>	K. Bolt M6X25 <input type="checkbox"/>	L. Bolt M6X60 <input type="checkbox"/>	M. Bolt M6X75 <input type="checkbox"/>	N. Floor Protector 20x15x5mm <input type="checkbox"/>	O. Hex key M4 <input type="checkbox"/>
						
24PCS	8PCS	33PCS	4PCS	4PCS	18PCS	1PCE
P. <input type="checkbox"/>	Q. Glue <input type="checkbox"/>					
						
4PCS	1PCE					

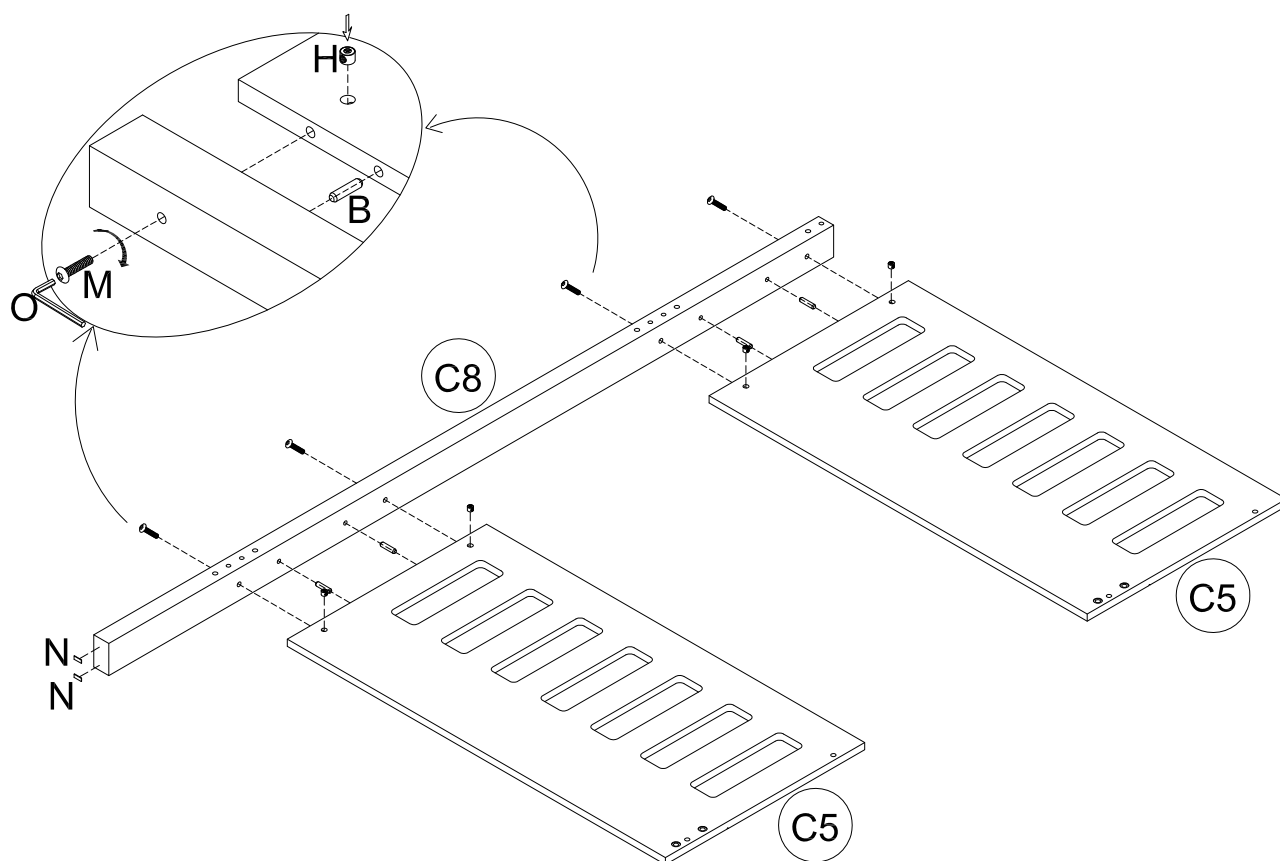
Step 1: Assemble the Ladder Tread(C3) to the Back Bed Post- Left(C1) and Ladder Post(C2) with hardware as shown. Place the Protect foam(N) to the Back Bed Post- Left(C1) and Ladder Post(C2)



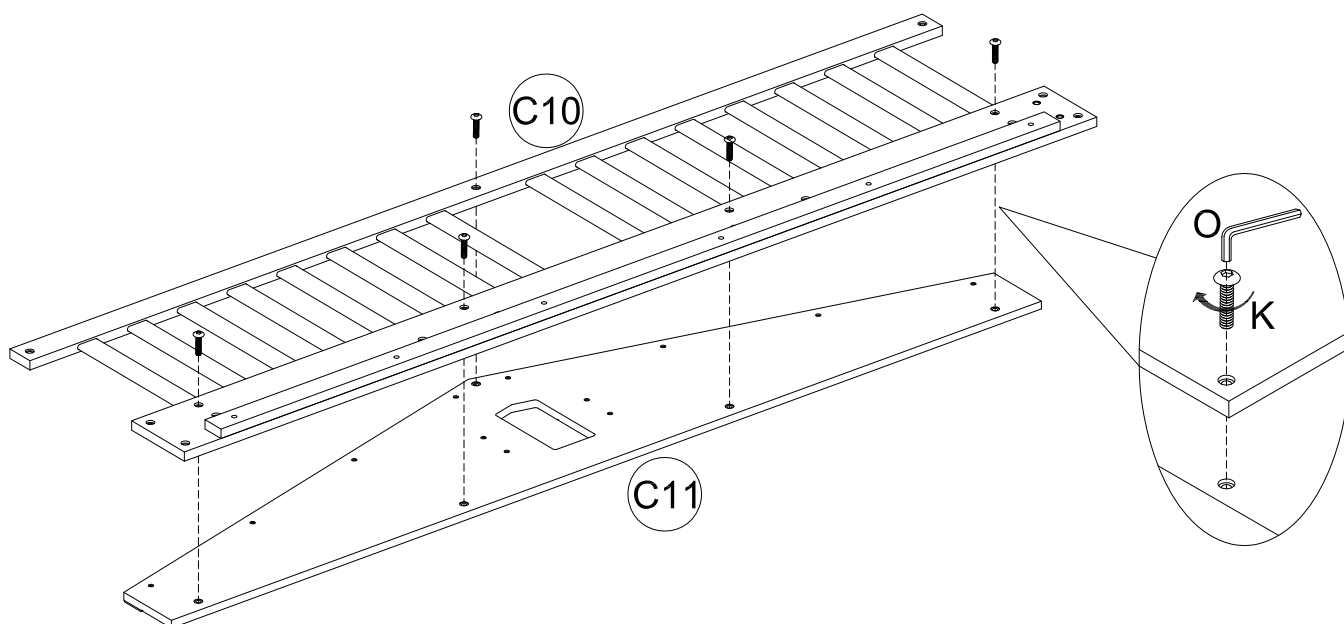
Step 2: Assemble End Panel-Left(C4)to the Ladder Post(C2) as shown. Place the Protect foam(N) to the End Panel-Left(C4).



Step 3: Assemble the Top and Bottom End Panel-Right(C5) to Back Bed Post-Right(C8) as shown. Place the Protect foam(N) to the Back Bed Post-Right(C8).

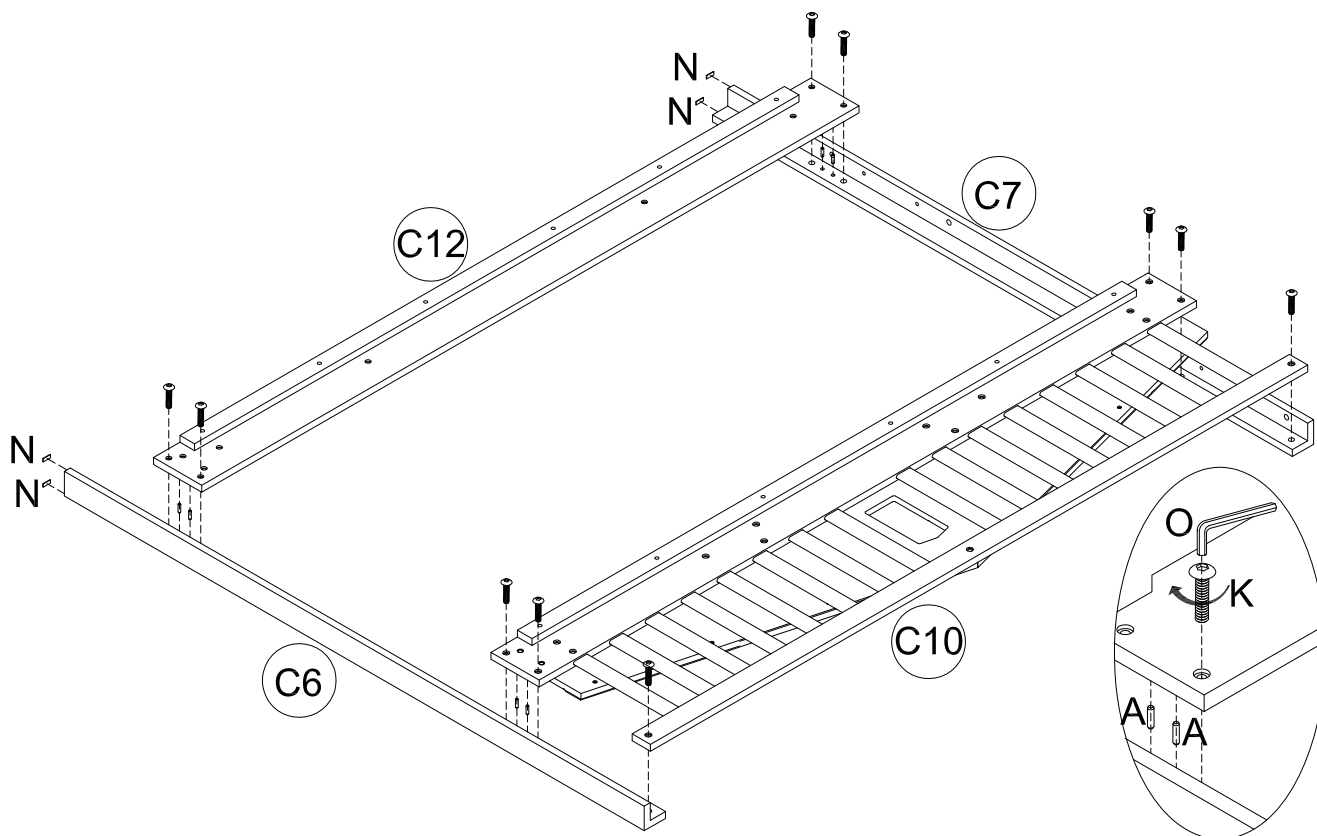


Step 4: Use a Hex Key(O) to assemble the Front Panel-Top(C11) to Front Safety Rail(C10) with Bolt(K).

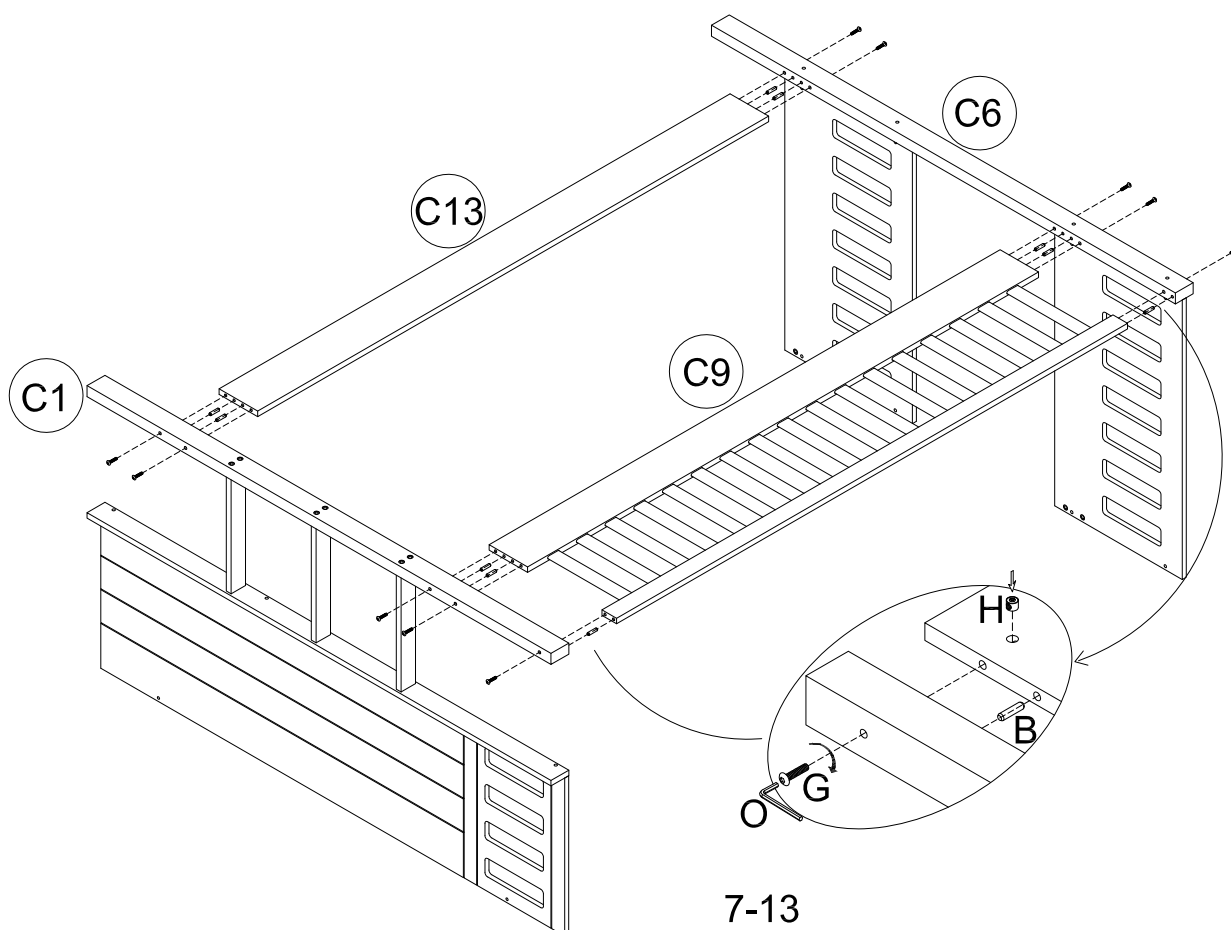


75443

Step 5: Insert the Dowel(A) to the Front Bed Post-Left(C6)and Front Bed Post-Right(C7).
 Use a Hex Key(O) to assemble the Front Bed Post-Left(C6)and Front Bed Post-Right(C7)
 to the Front Safety Rail(C10) with Bolt(K).Use a Hex Key(O) to assemble the
 Front Side Rail(C12) to the Front Bed Post-Left(C6)and Front Bed Post-Right(C7) with Bolt(K).
 Place the Protect foam(N) to the Front Bed Post-Left(C6)and Front Bed Post-Right(C7).

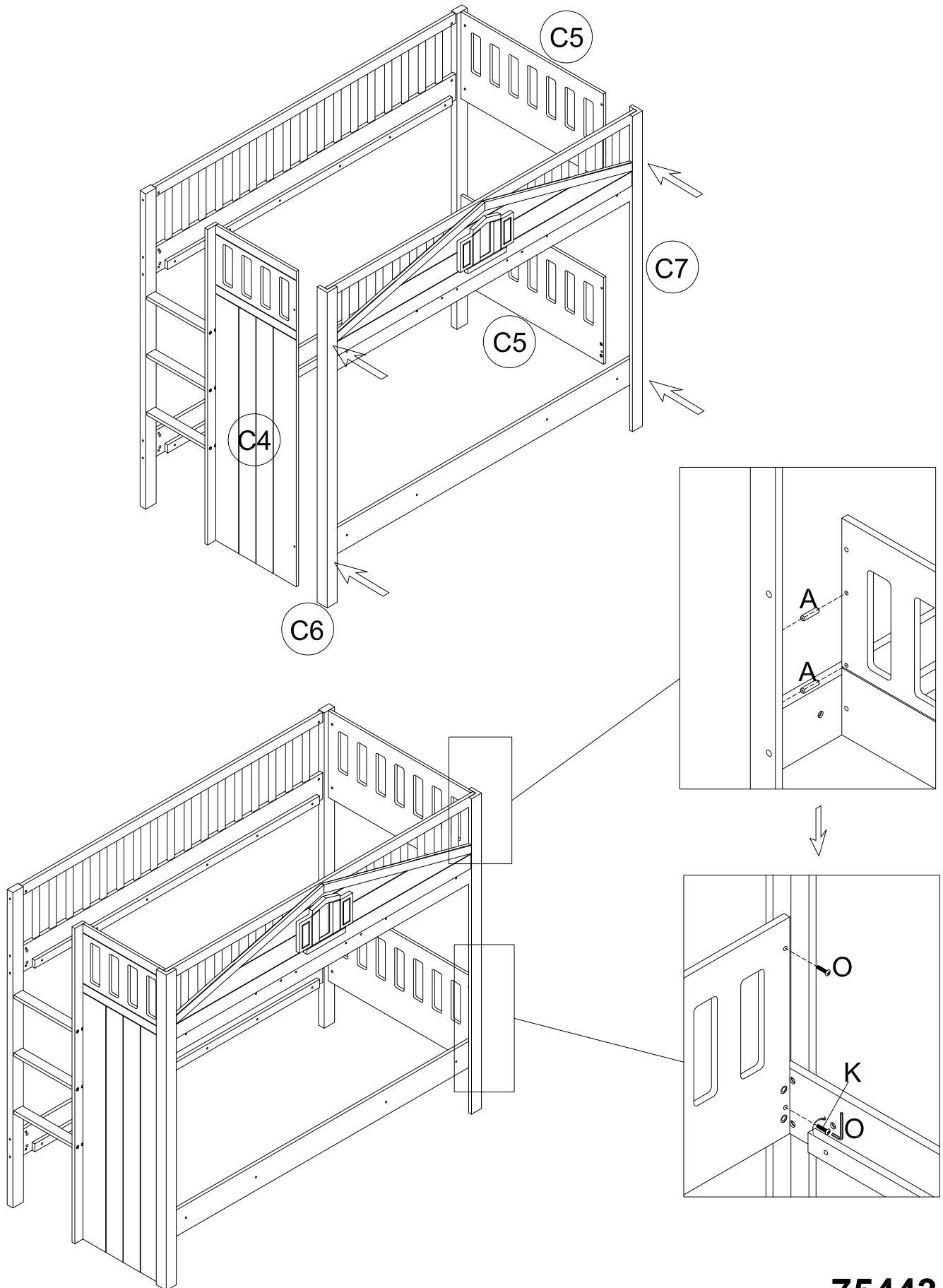


Step 6: Assemble the Back Safety Rail(C9) and Back Side Rail (C13)to the Back Bed Post- Left(C1)
 and Front Bed Post-Left(C6) with hardware as shown.

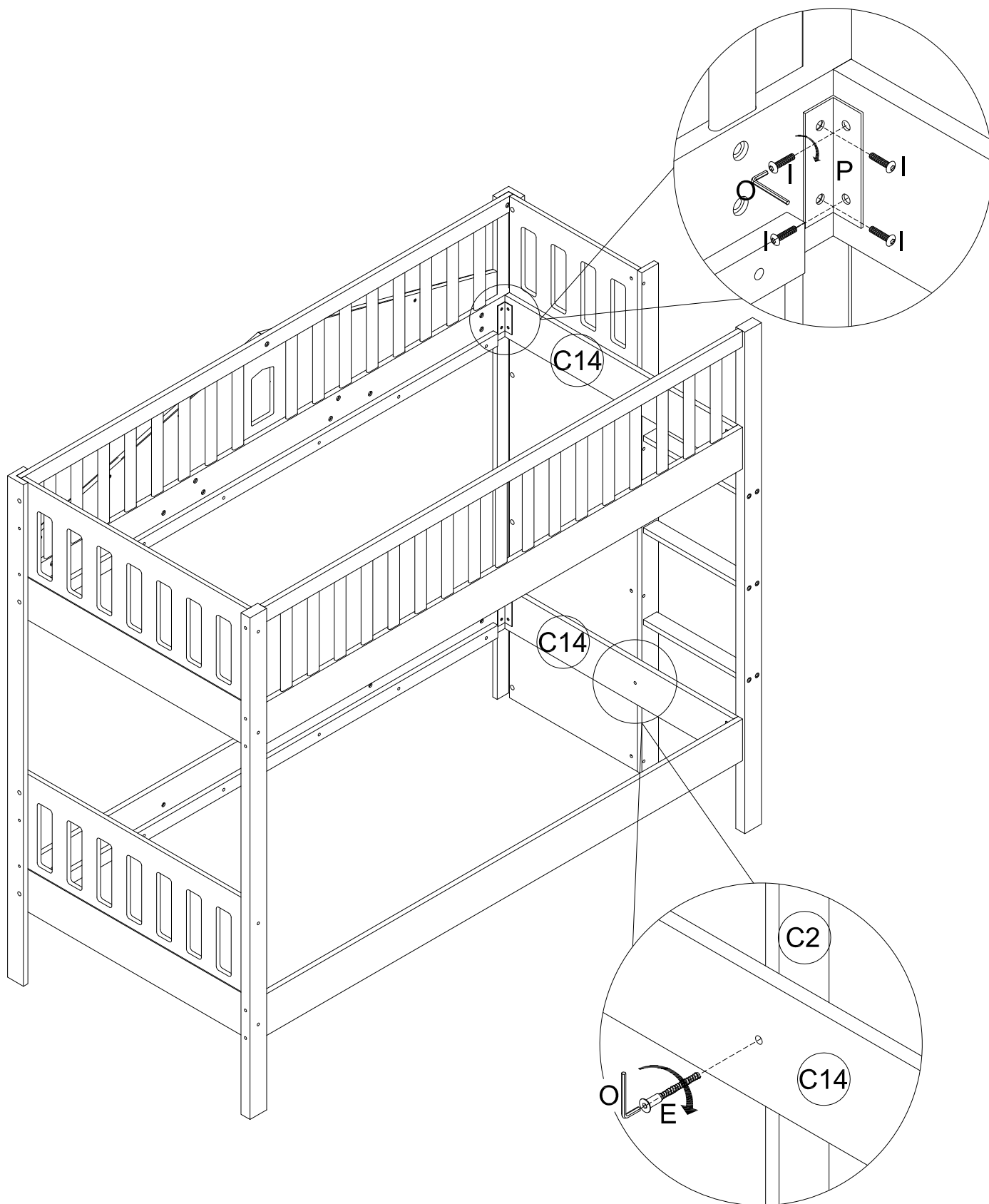


75443

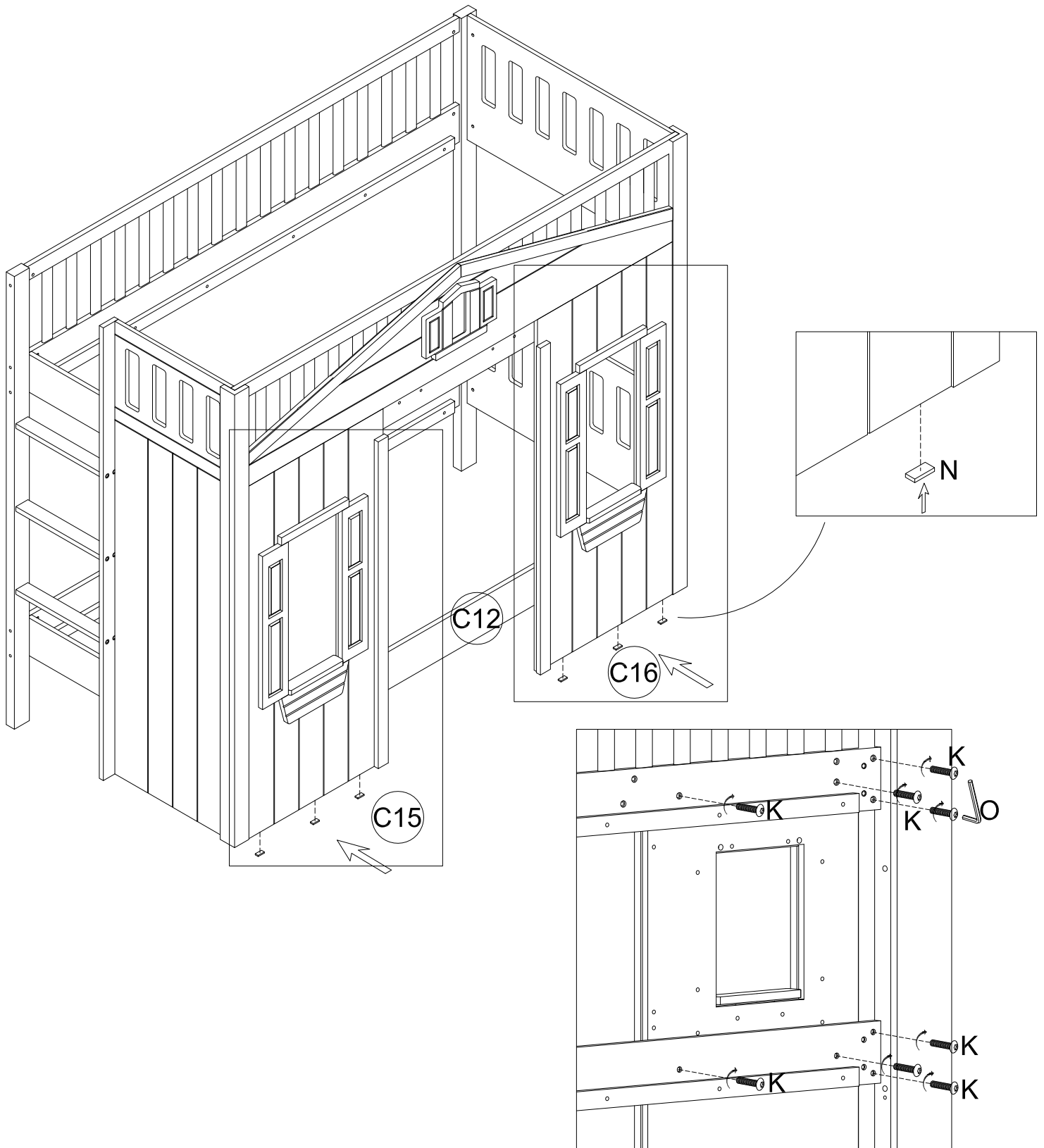
Step 7: Insert the Dowel(A) to End Panel-Left(C4)and End Panel-Right(C5)and Front Bed Post-Left(C6)and Front Bed Post-Right(C7).Use a Hex Key(O) to assemble the Front Bed Post-Left(C6) and Front Bed Post-Right(C7) to the End Panel-Left(C4) and End Panel-Right(C5) with Bolt(K).



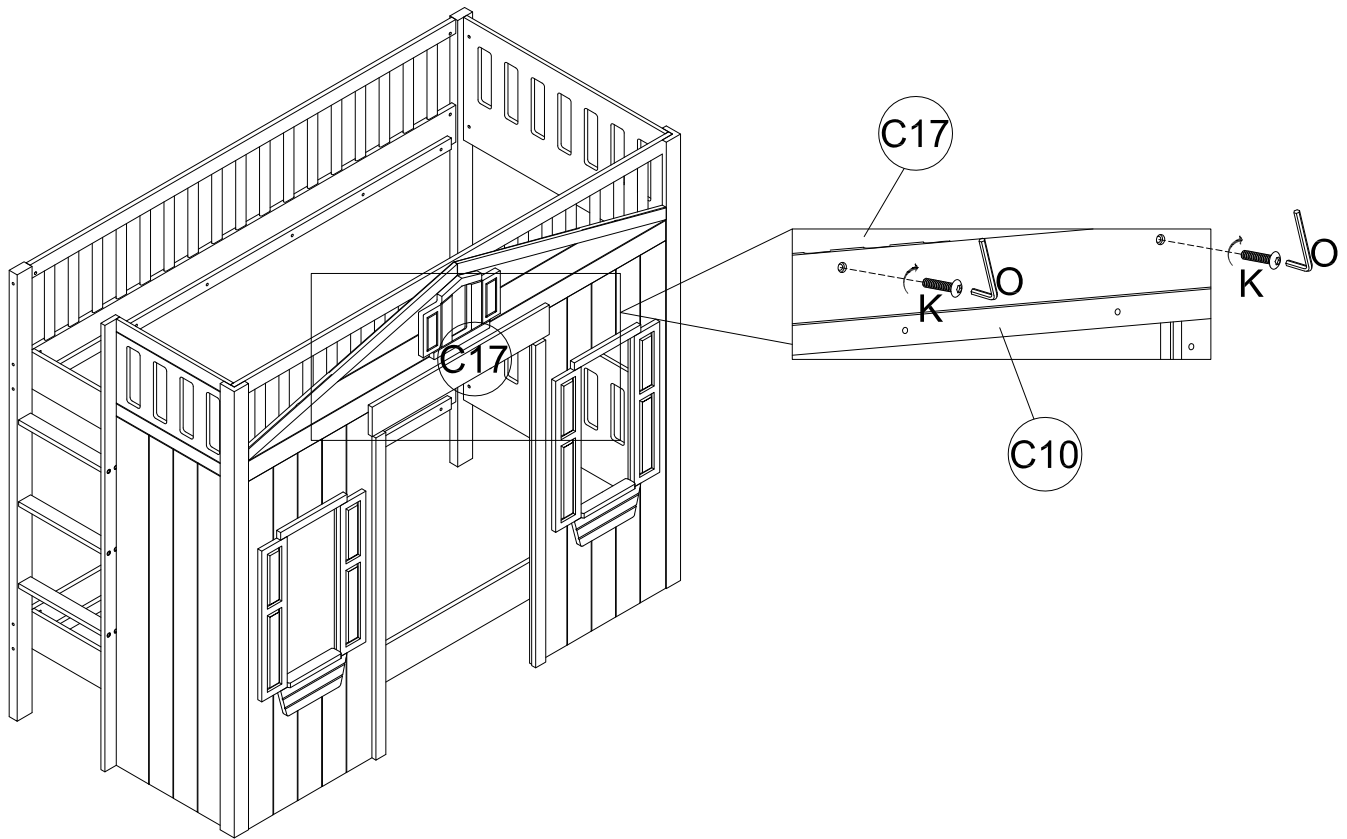
Step 8: Assemble the Top&Bottom Left End Rail(C14) to the parts with hardware as shown.



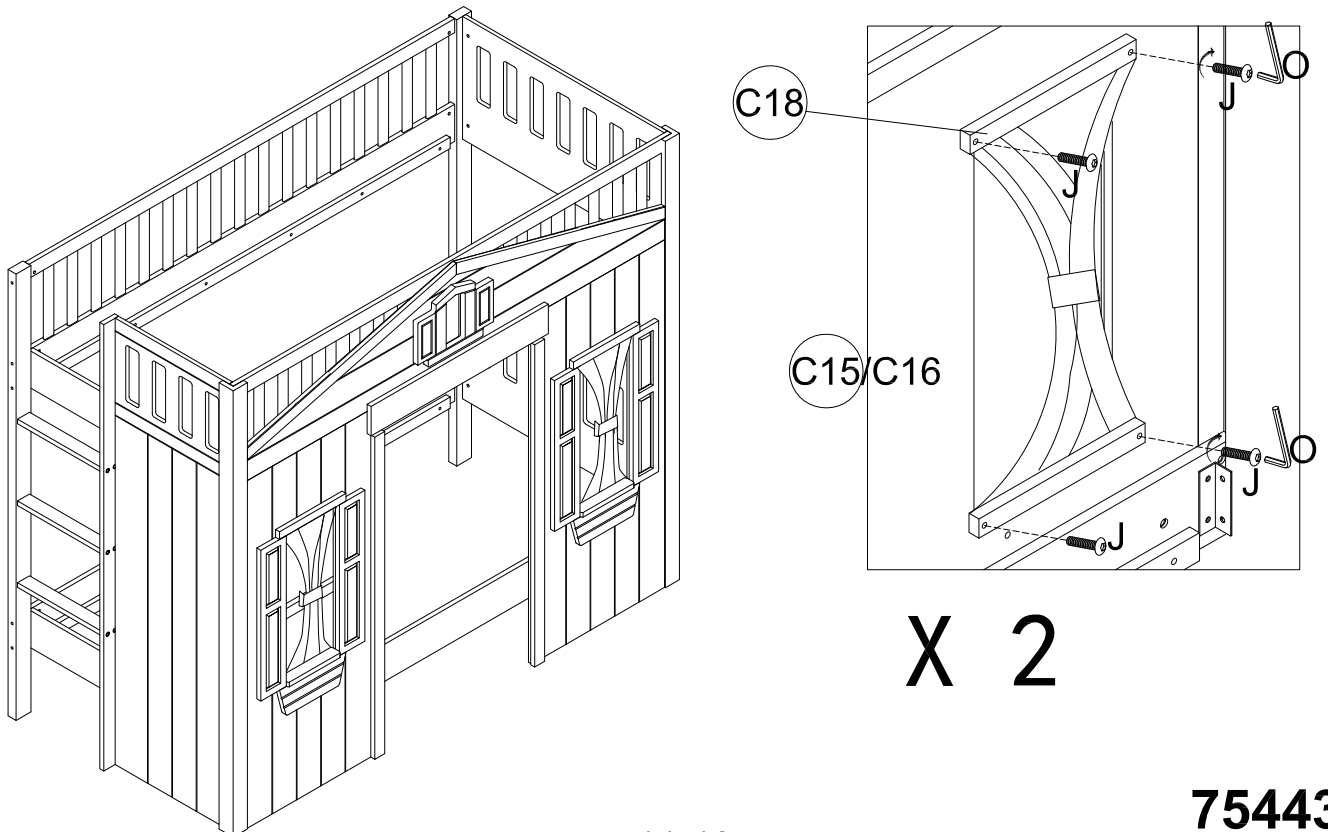
Step 9: Assemble the Front Panel-Left(C15)and Front Panel-Right(C16)to the Front Side Rail(C12) and Front Safety Rail(C10)with hardware as shown.Place the Protect foam(N) to the Front Panel-Left(C15)and Front Panel-Right(C16).



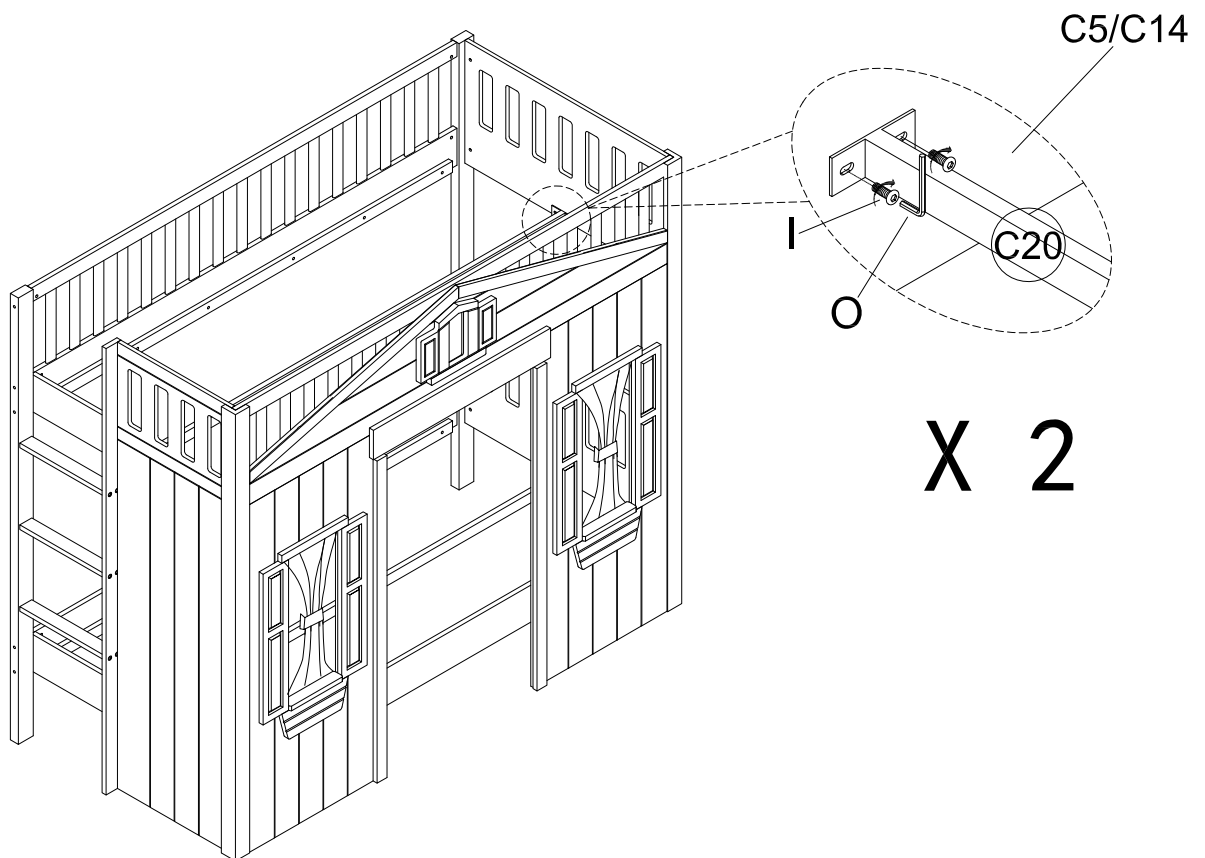
Step 10: Use a Hex Key(O) to assemble the Top Front Rail(C17) to the Front Safety Rail(C10)with Bolt(K).



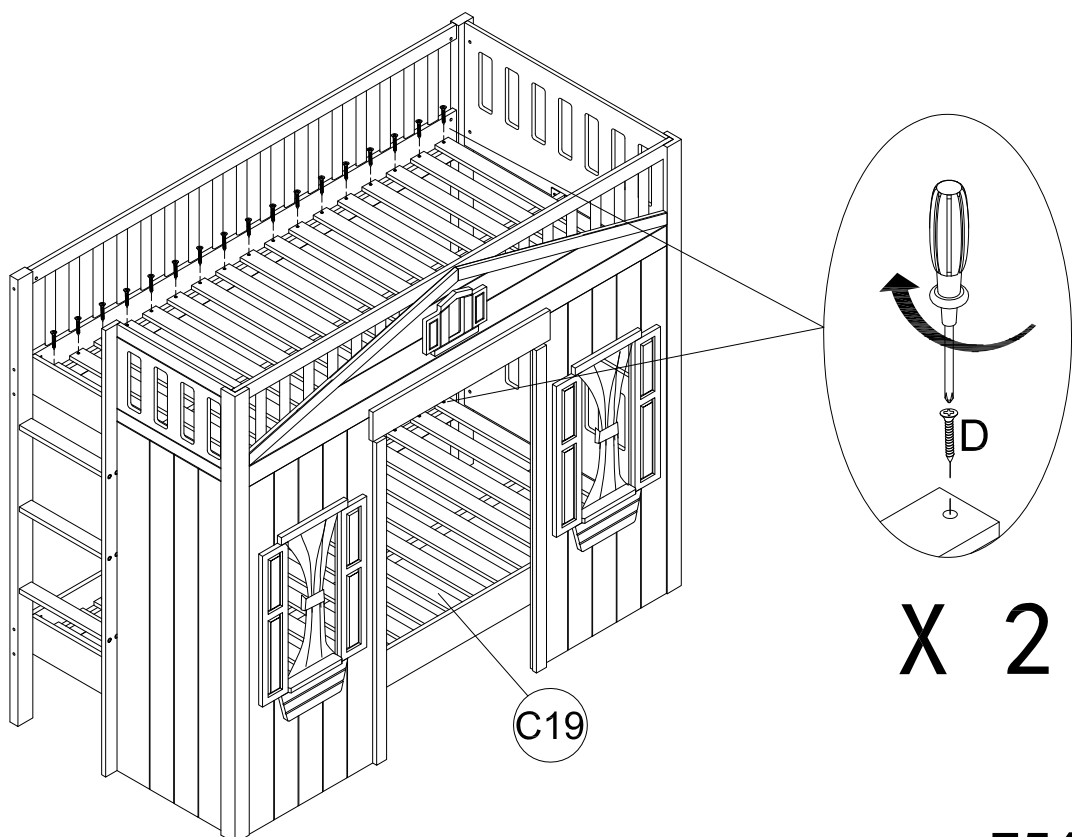
Step 11: Use a Hex Key(O) to assemble the Curtain(C18) to the Front Panel-Left(C15) and Front Panel-Right(C16) with Bolt(J).

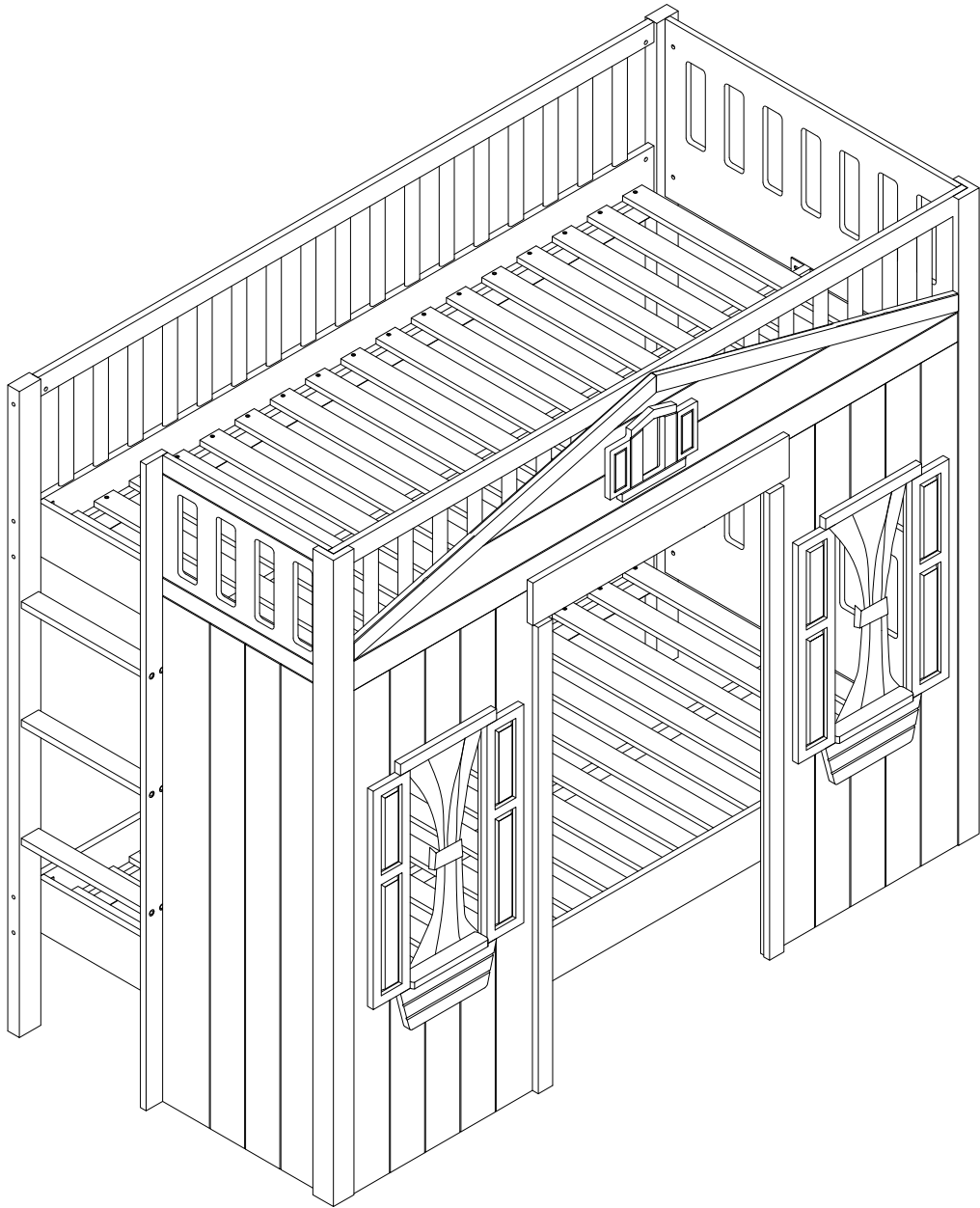


Step 12: Use a Hex Key(O) to assemble the Tube(C20) to the Top Bottom End Panel-Right(C5)and Top&Bottom Left End Rail(C14) with Bolt(I).



Step 13: Assemble the Slats(C19) with screws as shown.





PRODUCT CARE:

To protect your furniture, we suggest the following:

- Avoid placing your furniture in direct sunlight.
- Do not place furniture directly under windows.
- Do not place sharp materials (knife, fork, etc.) directly onto your furniture as sharp material may scrape and damage the finish.
- Do not place material with high temperature directly onto the surface of your furniture.
- Clean up spills quickly. Water left over a prolonged period of time may cause damage. Alcohol, perfume, nail polishes, aftershave and some medication may cause severe finish damage if not cleaned immediately.
- Use a clean, soft, dry, lint free absorbent cloth to clean your furniture. Do not use any detergent as they may contain ingredients that may react and damage the finish.
- NOTE: If the above care advise is not adhered to your product warranty may become void